

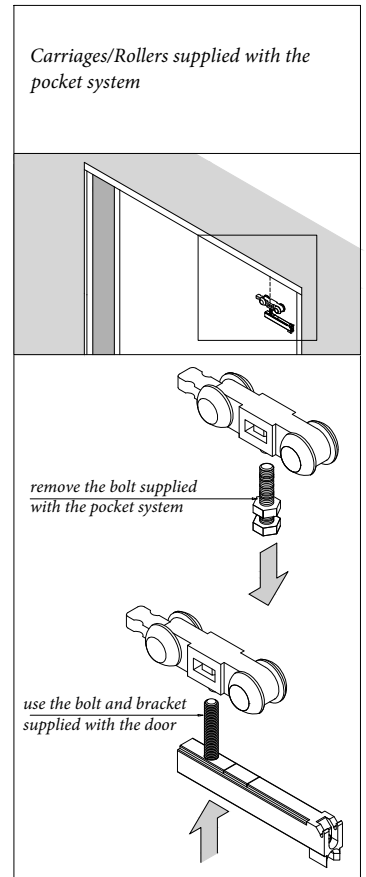
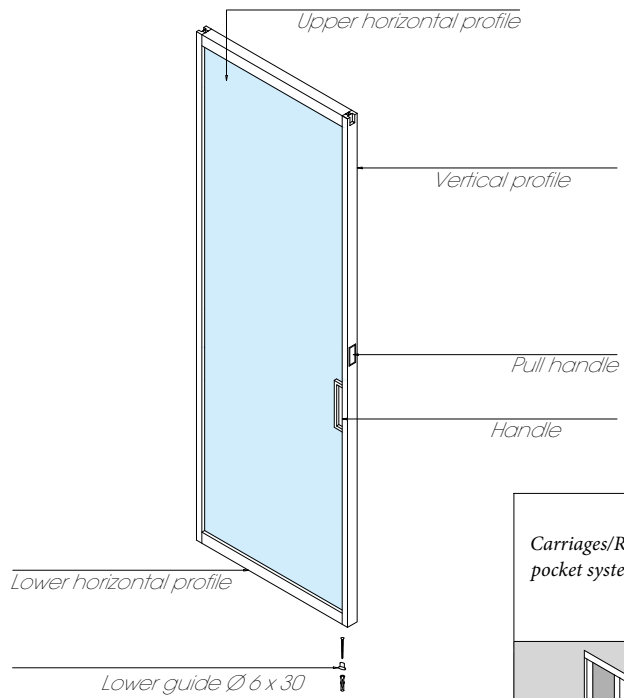
POCKET DOORS WITHOUT JAMBS

SINGLE POCKET DOOR

The single pocket door consists of:

1 No door with brackets to fit the door onto the carriages/rollers supplied with the pocket system.

1 No floor guide.

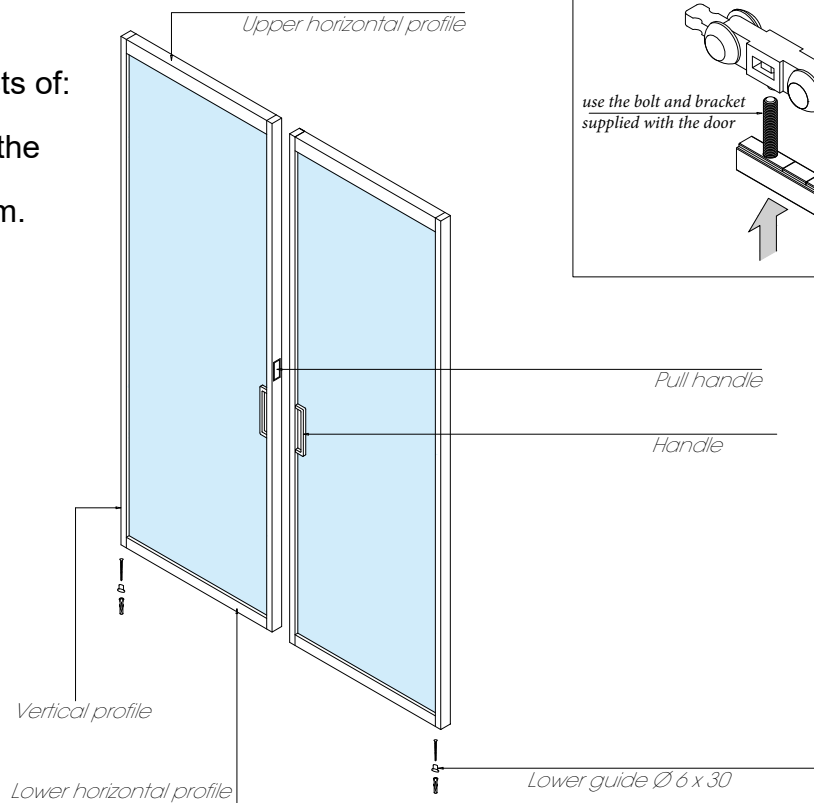


DOUBLE POCKET DOORS

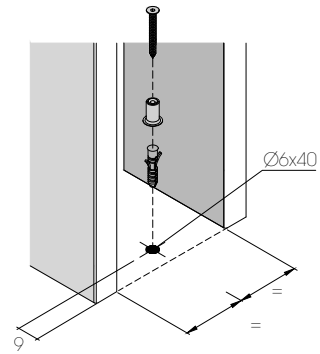
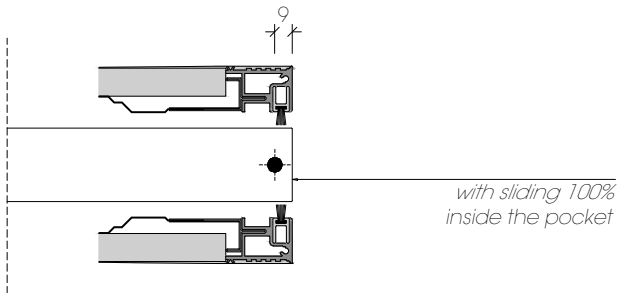
The double pocket door consists of:

2 No doors with brackets to fit the door onto the carriages/rollers supplied with the pocket system.

2 No floor guide.



POSITIONING THE GUIDE



ORDER INSTRUCTIONS

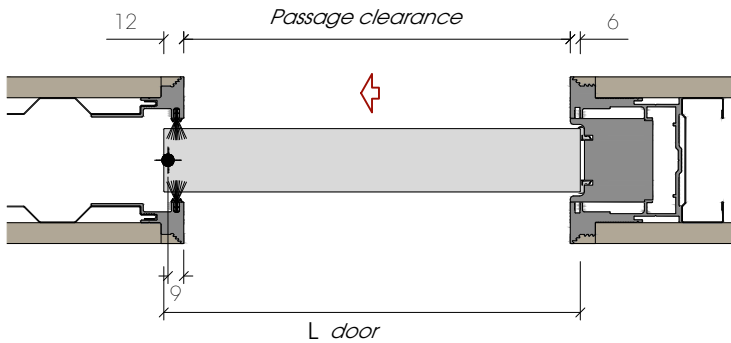
Specify the **PASSAGE CLEARANCE**

Determined by the pocket system and the finished wall

The Passage Clearance Height is to the FINISHED FLOOR LEVEL

RULES TO CALCULATE THE DOORS' SIZES

SINGLE POCKET DOOR WITHOUT JAMBS

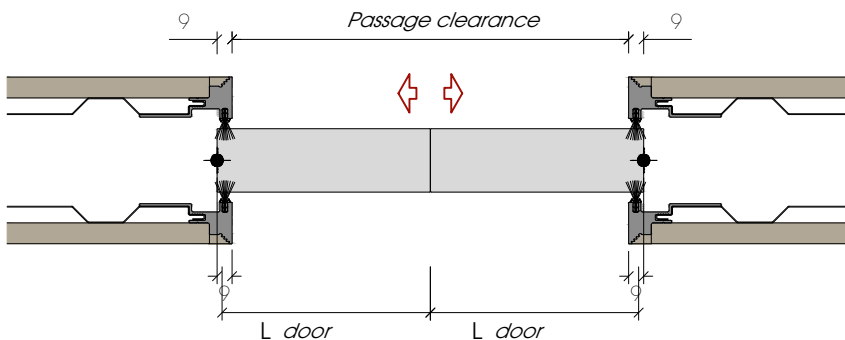


$$L_{door} = \text{Passage clearance} + 18 \text{ mm}$$

$$H_{door} = H_{\text{Passage clearance}} - 10 \text{ mm}$$

The Passage Clearance Height is to the FINISHED FLOOR LEVEL

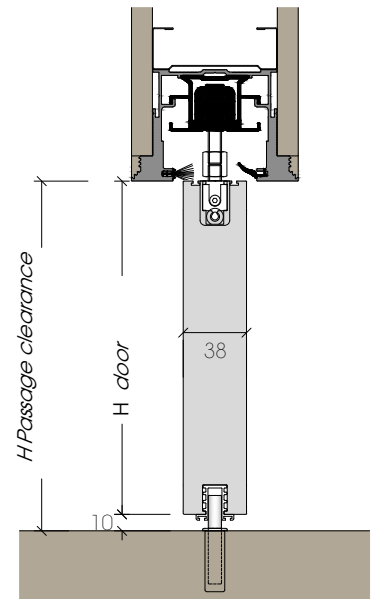
DOUBLE POCKET DOOR WITHOUT JAMBS

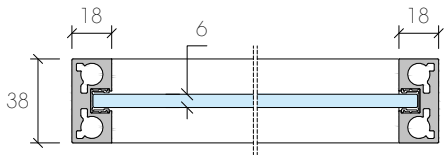


$$L_{door} = \frac{\text{Passage clearance} + 18 \text{ mm}}{2}$$

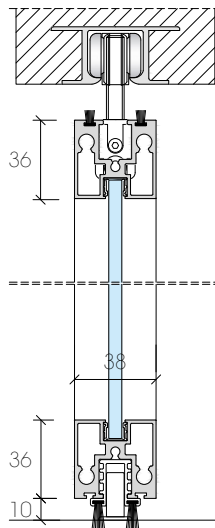
$$H_{door} = H_{\text{Passage clearance}} - 10 \text{ mm}$$

The Passage Clearance Height is to the FINISHED FLOOR LEVEL

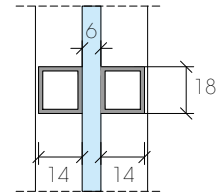




Horizontal Section

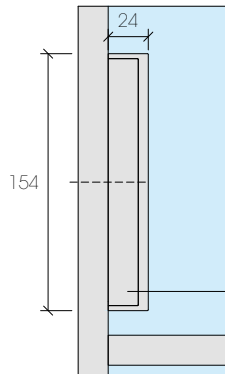
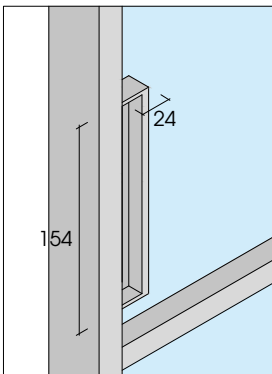


Vertical Section

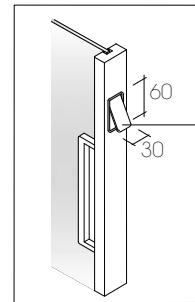


Glazing bars

Handle



Flush handle - same finish as the door



End Pull

LOCKS FOR POCKET DOOR

<p>WITH KEY</p>	<p>WITH WC LOCK</p>	<p>WITH KEY</p>
	<p>same as the door finish</p>	<p>Yale type cylinder - silver finish</p>

