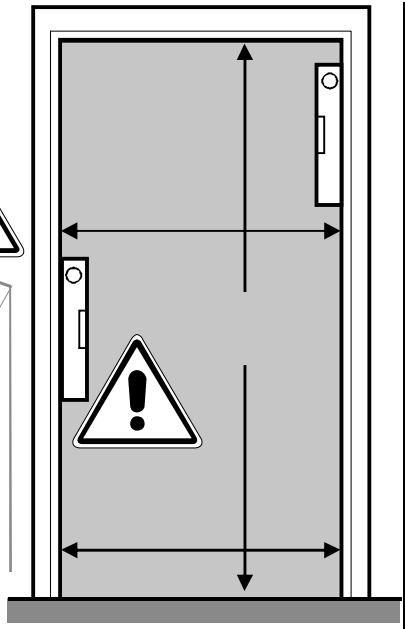
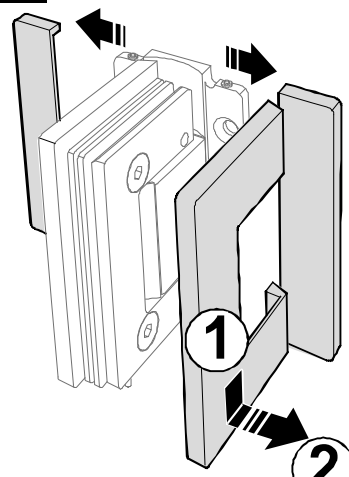


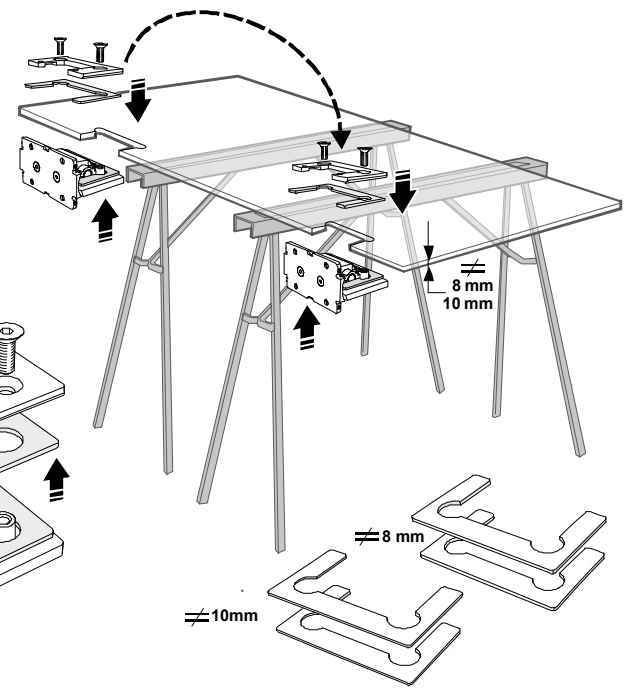
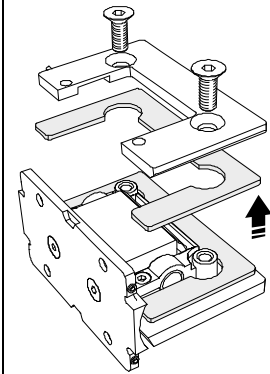
1



2

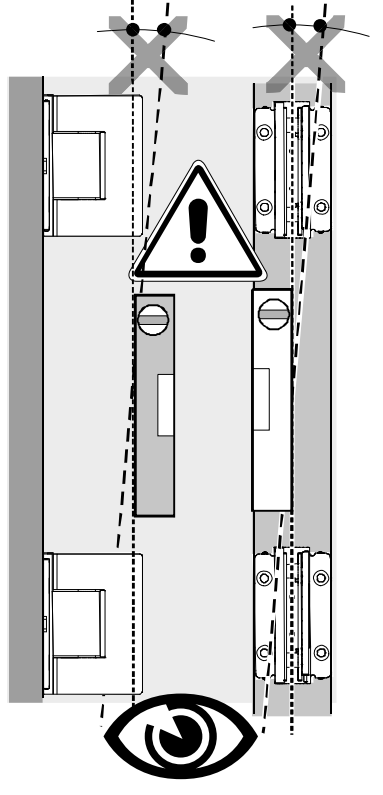
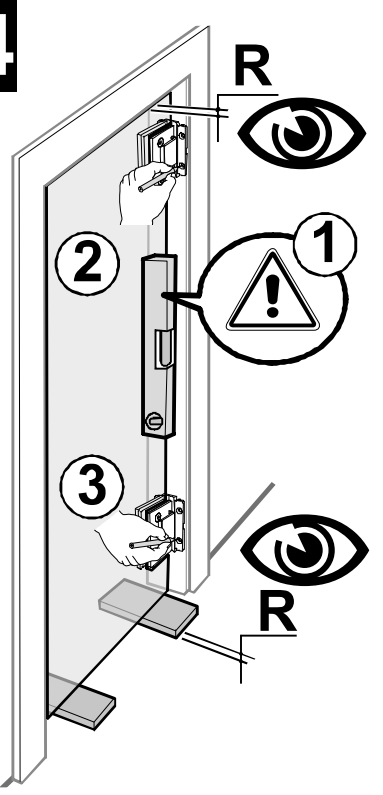


3

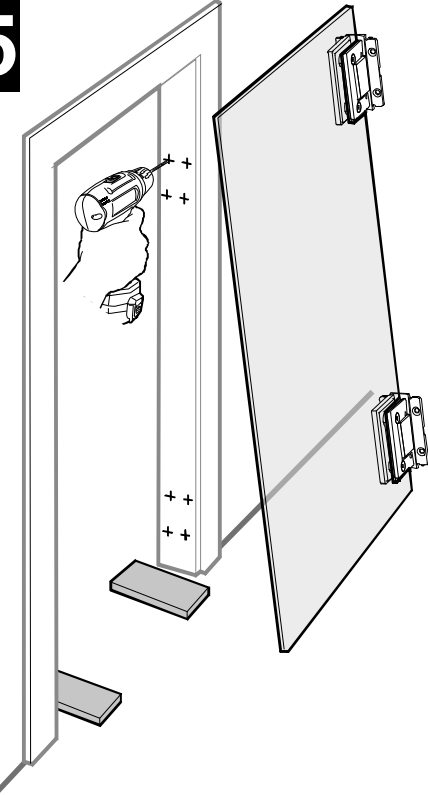


INSTRUCTIONS
DECO

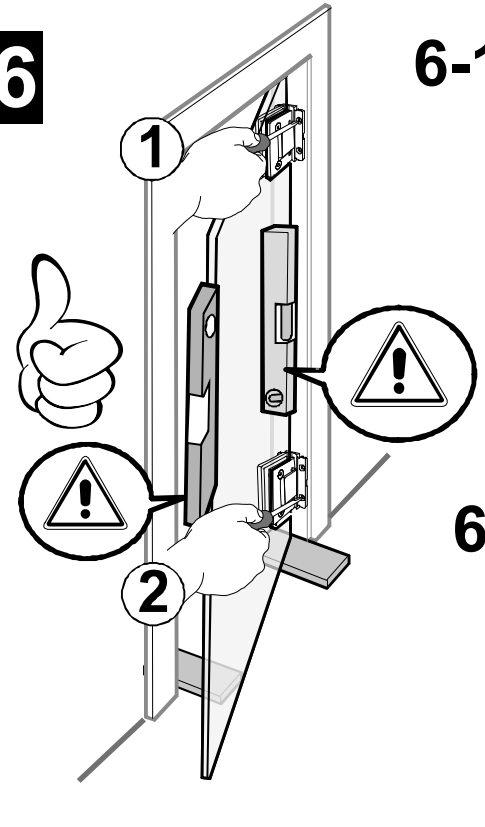
4



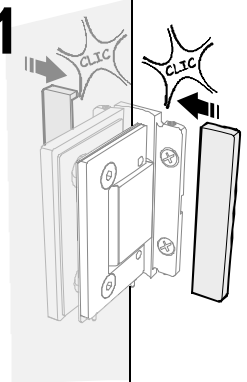
5



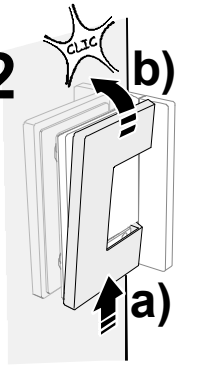
6



6-1



6-2



ALIGNMENT

Loosen the adjustment screws 1 turn.
Hold the door in the desired position.
Tighten the adjustment screws.

