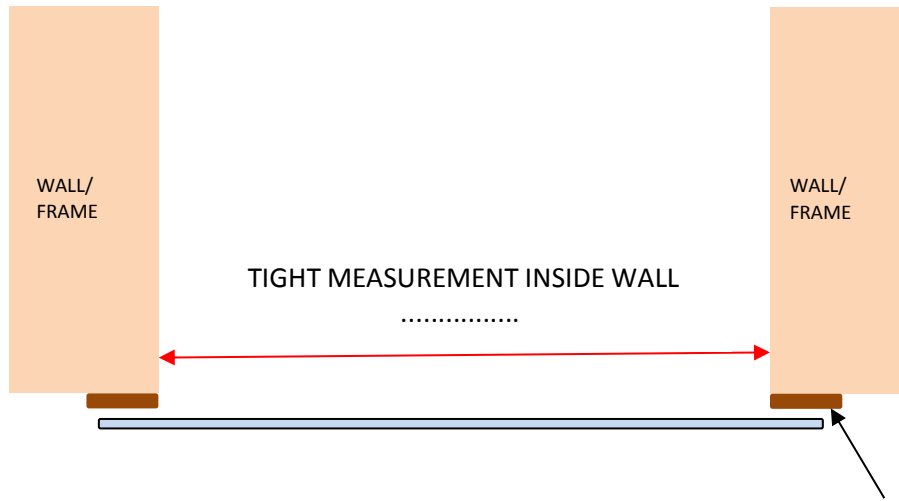


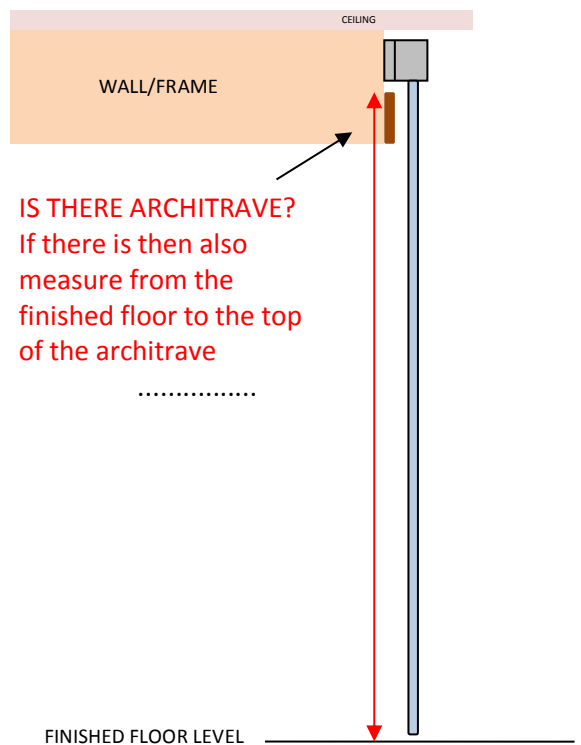
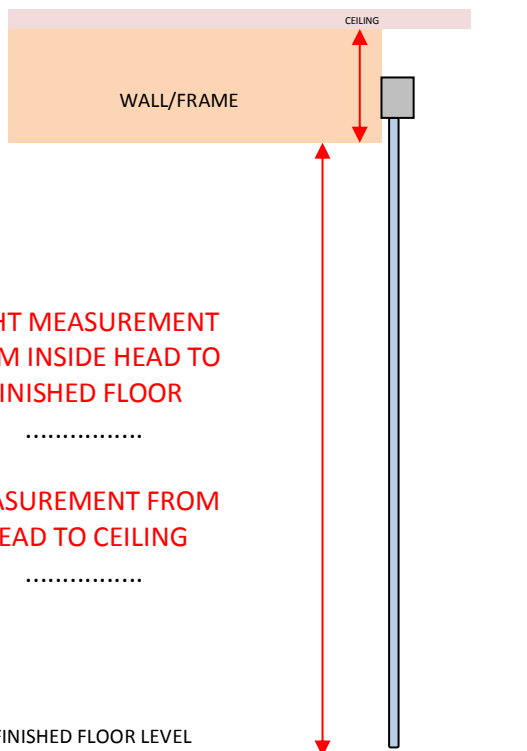
MEASURE FOR GLASS DOORS SLIDING IN FRONT OF WALL – Single doors and Double doors

WIDTH



IS THERE IS SKIRTING AND/OR ARCHITRAVE?
 If there is then measure the thickness
 ie how much it protrudes from the wall
 skirting/architrave thickness

HEIGHT



IS THERE ARCHITRAVE?
 If there is then also
 measure from the
 finished floor to the top
 of the architrave

IT IS IMPORTANT TO CONSIDER THE STRUCTURE OF THE WALL THAT THE TRACK WILL BE FIXED TO.
 All tracks, whether Plan/pelmet style, or rolling/pole style, need to be fixed to a flat, structurally sound wall.

Hence, consider the construction of the wall and any factors that determine a suitable fixing position.
 Ie. If the wall is studwork, you will need to make sure that there is a continuous timber beam for the track fixings.

Let us know, and we can calculate the glass height to allow for the required drilling position.