

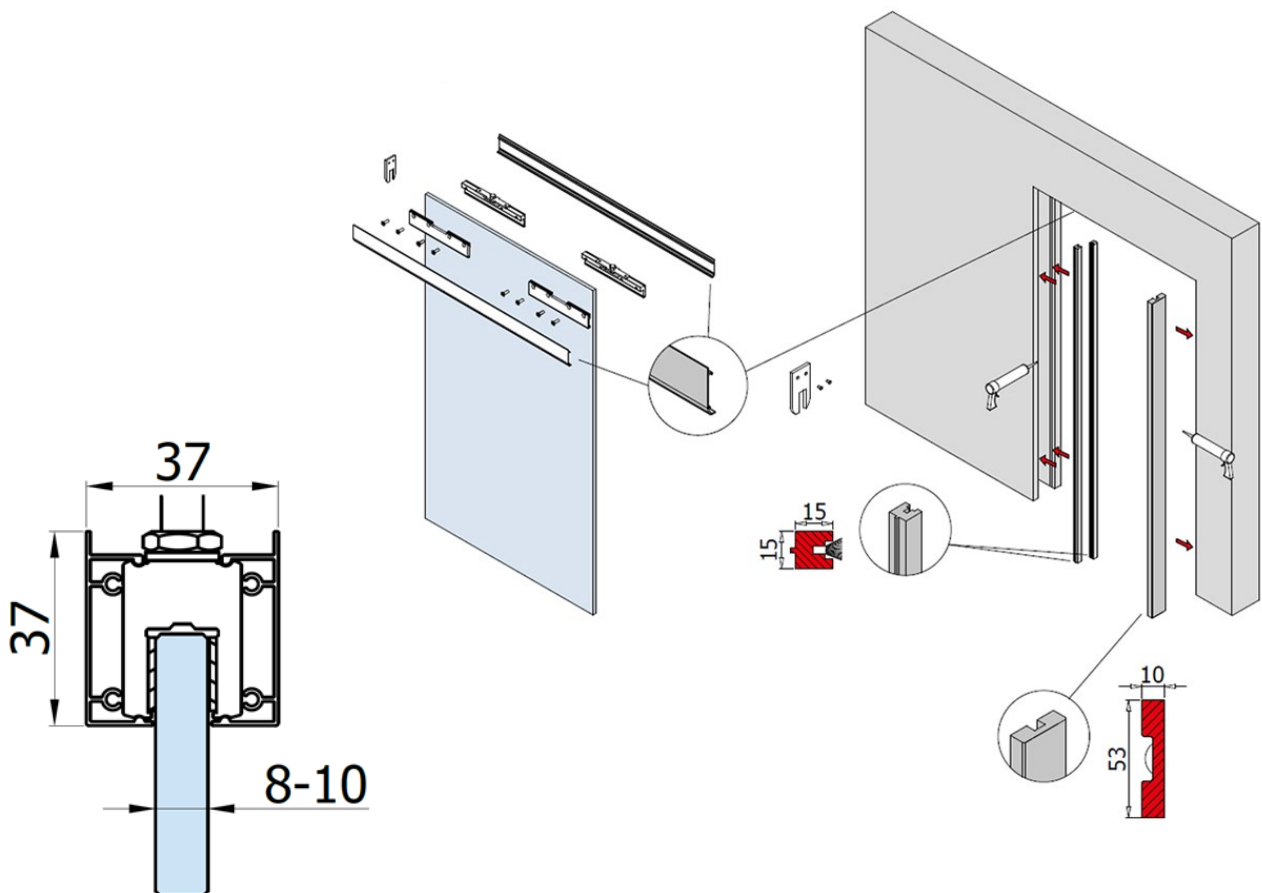
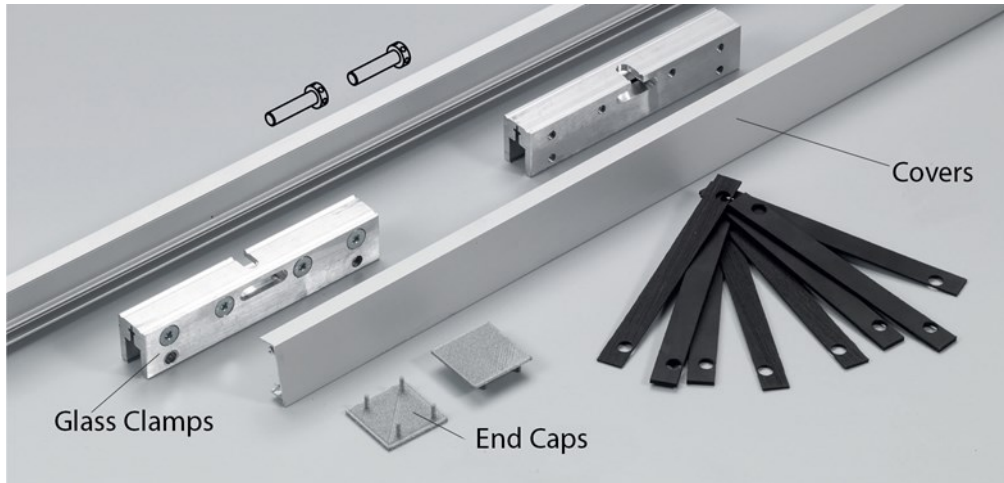
CLAMP AND TRIM KIT FOR GLASS POCKET DOOR

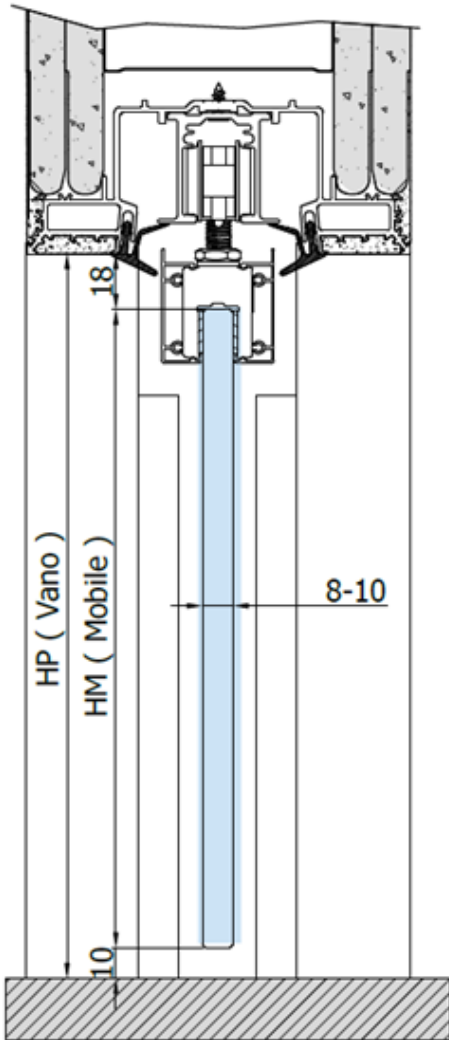
Our glass door conversion kit enables a timber pocket system to accept a frameless glass door.

Our glass clamps will fit onto any system rollers that use M8 bolts.

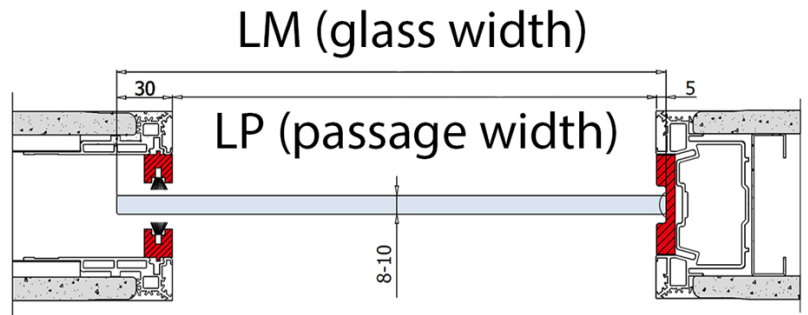
The jamb trim set fits some of the popular pocket door 'architrave free' systems, including the Eclisse Syntesis.

Measure the wall reveal width from plaster to plaster, and the wall reveal height from the plaster to the finished floor level, and we can make your glass door to suit.



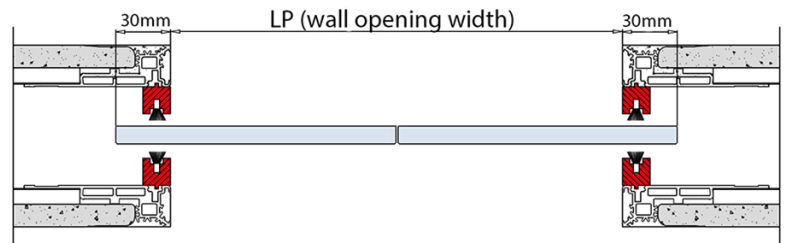


SINGLE DOOR WIDTH



$LM = LP + 35mm$

DOUBLE DOOR WIDTH



Glass width is $LP + 60mm / 2$

MEASURING FOR THE GLASS DOOR(S)

GLASS WIDTH SINGLE DOOR	PASSAGE/WALL OPENING WIDTH (LP) + 35mm (From plaster to plaster)
GLASS WIDTH DOUBLE DOORS	PASSAGE WIDTH/WALL OPENING WIDTH (LP) + 60mm / 2 (From plaster to plaster)
GLASS HEIGHT	PASSAGE HEIGHT/WALL OPENING HEIGHT (HP) - 28mm (From the plaster in the head to the finished floor)