



The new generation of sliding glass door systems

PROJECT

Maximum comfort. Minimal installation effort.

NEW STANDARDS IN TECHNOLOGY, DESIGN AND COMFORT

Modern interior design calls for holistic room concepts that combine minimalist design with maximum comfort.

While good design is recognisable at first glance, comfort is usually in the detail and only becomes clear with use.

This is also the case with the high-tech solution from **Project**. The high-quality look of the system goes hand in hand with sophisticated sliding door technology. It is made up of three components: track, roller system and clamping mechanism, and makes both installation and use particularly easy.

Using sliding glass doors is not only a space-saving design device but they are also ideal as room dividers and visual features in generously designed living areas. This is the case for classic wall mounting, as a telescopic solution or for mounting flush with the ceiling.

With **Project** you have the right system for every application.





PROJECT

PROJECT wall mounting	6 – 9
PROJECT ceiling mounting	10 – 15
PROJECT Accessories	16 – 17
PROJECT Black	18 – 19



PROJECT

PROJECT offers a high-tech complete solution for sliding door systems that impresses with revolutionary running gear and noticeable smoothness. The special feature: The entire assembly requires only a few processes. The installation is therefore quick, intuitive and cost-saving.

Safe anti-jump protection

The protective mechanism ensures reliable protection against door jumping, even with a powerful swing.

Solid metal frame

The solid, continuous metal frame ensures that the damper always remains precisely in its guide.

Unique roller system

High-quality ball bearings and large castors ensure a noticeable lightness and unique smoothness.

Easy mounting from the front

Mounting is conveniently done from the front. From there, all adjustment options such as the height setting, the positioning of the cushioning and the anti-lift device can be reached quite comfortably.



With the glass mounting profile
you can also mount the sliding
door on glass.

MASTERTRACK® FT WALL MOUNTING



1-leaf wall mounting



1-leaf wall mounting on glass



2-leaf Synchro without fixed glazing
wall mounting



Product highlights

- Impressively smooth running
- Smooth closing mechanism
- Safe anti-jump protection
- Elegant appearance in the weight classes 60, 80, 120 and 150 kg
- Intuitive and cost-saving assembly
- All settings conveniently accessible from the front
- Modular design in all weight classes
- Metal shock absorbers with high-quality hydraulics and double-sided
- Synchronously opening systems possible



MasterTrack® FT 60 Set wall mounting



- Glass thickness door: tempered glass 8 - 12 mm, laminated safety glass 8.76 - 12.76 mm
- Minimum door width 600 mm
- Max. door weight 60 kg
- The running track is pre-drilled

LENGTH	FINISH	ART. NO.	SU
2000 mm	Aluminium-coloured E6 C0	BO 5762011	1x
2500 mm	Aluminium-coloured E6 C0	BO 5762511	1x
2000 mm	Stainless steel look E4 C31	BO 5762014	1x
2500 mm	Stainless steel look E4 C31	BO 5762514	1x
2000 mm	Black anodised E6 C35	BO 5762013	1x

INCLUDED IN DELIVERY:

1x Running Track	2x Damping Mechanism
1x Cover	1x Bottom Guide
2x Carriages	2x Cover Caps

MasterTrack® FT 80 Set wall mounting



- Glass thickness door: tempered glass 8 - 12 mm, laminated safety glass 8.76 - 12.76 mm
- Minimum door width 790 mm
- Max. door weight 80 kg
- The running track is pre-drilled

LENGTH	FINISH	ART. NO.	SU
2000 mm	Aluminium-coloured E6 C0	BO 5782011	1x
2500 mm	Aluminium-coloured E6 C0	BO 5782511	1x
3000 mm	Aluminium-coloured E6 C0	BO 5783011	1x
2000 mm	Stainless steel look E4 C31	BO 5782014	1x
2500 mm	Stainless steel look E4 C31	BO 5782514	1x
3000 mm	Stainless steel look E4 C31	BO 5783014	1x
3000 mm	Black anodised E6 C35	BO 5783013	1x

INCLUDED IN DELIVERY:

1x Running Track	2x Damping Mechanism
1x Cover	1x Bottom Guide
2x Carriages	2x Cover Caps

MasterTrack® FT Profile Set wall mounting



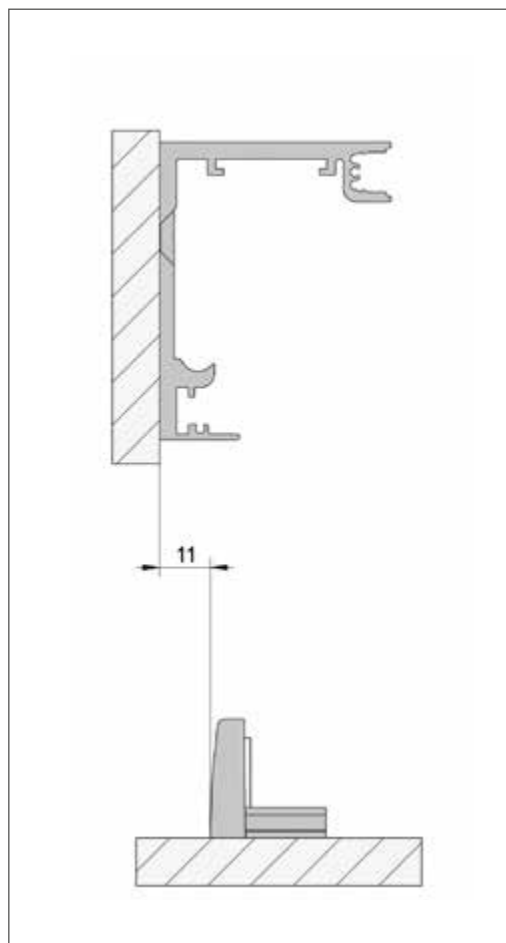
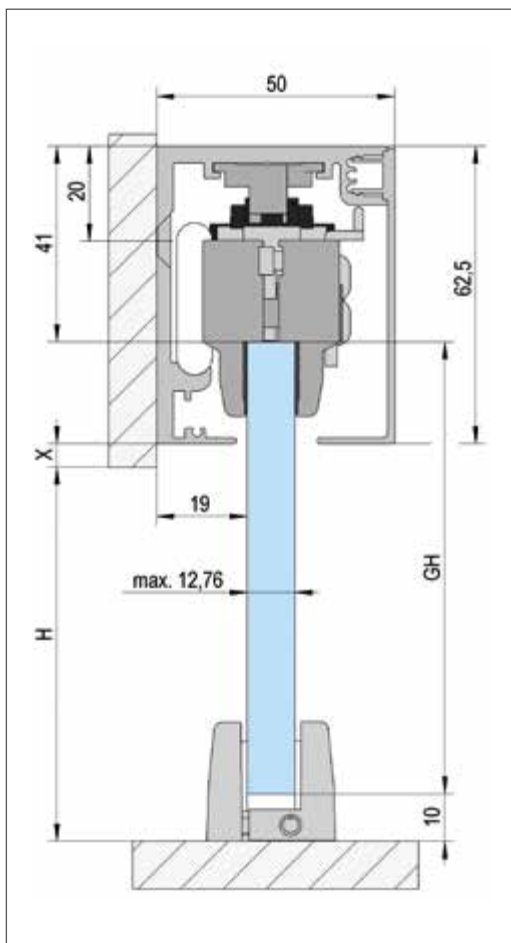
- The running track is pre-drilled

LENGTH	FINISH	ART. NO.	SU
3000 mm	Aluminium-coloured E6 C0	BO 5703011	1x
4000 mm	Aluminium-coloured E6 C0	BO 5704011	1x
3000 mm	Stainless steel look E4 C31	BO 5703014	1x
4000 mm	Stainless steel look E4 C31	BO 5704014	1x
4000 mm	Black anodised E6 C35	BO 5704013	1x

INCLUDED IN DELIVERY:

1x Running Track
1x Cover

DRAWINGS



Glass height (GH) = H + X + 11.5 mm

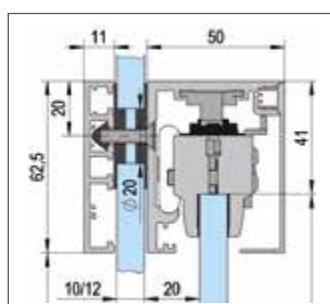
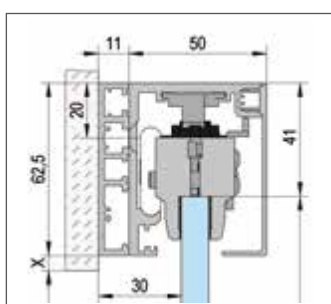
MasterTrack® FT Wall Distance Profile / Glass/wall Installation Profile



- Suitable for all Bohle MasterTrack® FT systems
- Can also be used for glass mounting
- For an additional wall clearance of 11 mm, for example for door frames and skirting boards.
- In addition to the profile, please order the corresponding number of accessory sets BO 5700007 or BO 5700008, depending on application and profile length.

LENGTH	FINISH	ART. NO.	SU
2000 mm	Aluminium-coloured E6 C0	BO 5702001	1x
4000 mm	Aluminium-coloured E6 C0	BO 5704001	1x
2000 mm	Stainless steel look E4 C31	BO 5702004	1x
4000 mm	Stainless steel look E4 C31	BO 5704004	1x

ACCESSORIES SET	ART. NO.	SU
Wall distance mounting accessory set for 2000 mm	BO 5700007	1x
Glass-wall mounting for 2000 mm	BO 5700008	1x





MASTERTRACK® FT CEILING MOUNTING



1-leaf without fixed glazing ceiling mounting



1-leaf with fixed glazing ceiling mounting



2-leaf Synchro without fixed glazing ceiling mounting



2-leaf Synchro with fixed glazing ceiling mounting



Product highlights

- Impressive running smoothness
- Exceptional ease of movement
- Smooth closing mechanism
- Safe anti-jump protection
- Elegant appearance in the weight classes 60, 80, 120 and 150 kg
- Intuitive and cost-saving assembly
- All settings conveniently accessible from the front
- Modular design in all weight classes
- Metal shock absorbers with high-quality hydraulics and double-sided
- Synchronously opening systems possible



MasterTrack® FT 60 Set ceiling mounting



- Glass thickness door: tempered glass 8 - 12 mm, laminated safety glass 8.76 - 12.76 mm
- Minimum door width 600 mm
- Max. door weight 60 kg
- The running track is pre-drilled

LENGTH	FINISH	ART. NO.	SU
2000 mm	Aluminium-coloured E6 C0	BO 5762021	1x
2500 mm	Aluminium-coloured E6 C0	BO 5762521	1x
2000 mm	Stainless steel look E4 C31	BO 5762024	1x
2500 mm	Stainless steel look E4 C31	BO 5762524	1x
2000 mm	Black anodised E6 C35	BO 5762023	1x

INCLUDED IN DELIVERY:

1x Running Track
1x Cover
2x Carriages

2x Damping Mechanism
1x Bottom Guide

MasterTrack® FT 80 Set ceiling mounting



- Glass thickness door: tempered glass 8 - 12 mm, laminated safety glass 8.76 - 12.76 mm
- Minimum door width 790 mm
- Max. door weight 80 kg
- The running track is pre-drilled

LENGTH	FINISH	ART. NO.	SU
2000 mm	Aluminium-coloured E6 C0	BO 5782021	1x
2500 mm	Aluminium-coloured E6 C0	BO 5782521	1x
3000 mm	Aluminium-coloured E6 C0	BO 5783021	1x
2000 mm	Stainless steel look E4 C31	BO 5782024	1x
2500 mm	Stainless steel look E4 C31	BO 5782524	1x
3000 mm	Stainless steel look E4 C31	BO 5783024	1x
3000 mm	Black anodised E6 C35	BO 5783023	1x

INCLUDED IN DELIVERY:

1x Running Track
1x Cover
2x Carriages

2x Damping Mechanism
1x Bottom Guide

MasterTrack® FT Profile Set ceiling mounting



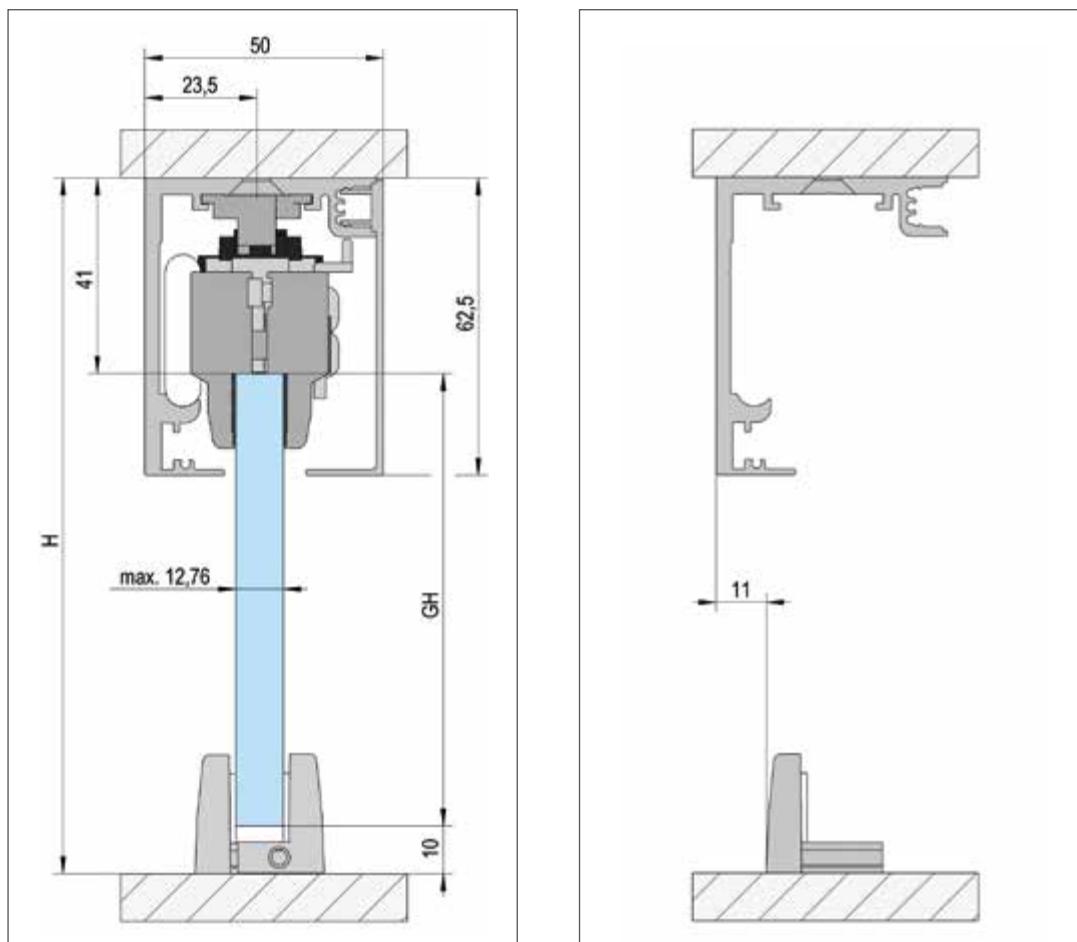
- The running track is pre-drilled

LENGTH	FINISH	ART. NO.	SU
3000 mm	Aluminium-coloured E6 C0	BO 5703021	1x
4000 mm	Aluminium-coloured E6 C0	BO 5704021	1x
3000 mm	Stainless steel look E4 C31	BO 5703024	1x
4000 mm	Stainless steel look E4 C31	BO 5704024	1x
4000 mm	Black anodised E6 C35	BO 5704023	1x

INCLUDED IN DELIVERY:

1x Running Track
1x Cover

DRAWINGS



Glass height (GH) = H - 51 mm

MasterTrack® FT 60 Set ceiling mounting with Fixed Sidelight



- Glass thickness door: tempered glass 8 - 12 mm, laminated safety glass 8.76 - 12.76 mm
- Glass thickness Fixed Sidelight: ESG 8 - 15 mm, VSG 8.76 - 12.76 mm
- Minimum door width 600 mm
- Max. door weight 60 kg
- The running track is pre-drilled

LENGTH	FINISH	ART. NO.	SU
2000 mm	Aluminium-coloured E6 C0	BO 5762031N	1x
2000 mm	Stainless steel look E4 C31	BO 5762034N	1x
2000 mm	Black anodised E6 C35	BO 5762033	1x

INCLUDED IN DELIVERY:

- | | |
|------------------|---|
| 1x Running Track | 2x Damping Mechanism |
| 1x Cover | 1x Bottom Guide |
| 2x Carriages | 1x Snapframe standard for fixed sidelight profile |

MasterTrack® FT 80 Set ceiling mounting with Fixed Sidelight



- Glass thickness door: tempered glass 8 - 12 mm, laminated safety glass 8.76 - 12.76 mm
- Glass thickness Fixed Sidelight: ESG 8 - 15 mm, VSG 8.76 - 12.76 mm
- Minimum door width 790 mm
- Max. door weight 80 kg
- The running track is pre-drilled

LENGTH	FINISH	ART. NO.	SU
2000 mm	Aluminium-coloured E6 C0	BO 5782031N	1x
3000 mm	Aluminium-coloured E6 C0	BO 5783031N	1x
2000 mm	Stainless steel look E4 C31	BO 5782034N	1x
3000 mm	Stainless steel look E4 C31	BO 5783034N	1x
3000 mm	Black anodised E6 C35	BO 5783033	1x

INCLUDED IN DELIVERY:

- | | |
|------------------|---|
| 1x Running Track | 2x Damping Mechanism |
| 1x Cover | 1x Bottom Guide |
| 2x Carriages | 1x Snapframe standard for fixed sidelight profile |

MasterTrack® FT Profile Set ceiling mounting with Fixed Sidelight



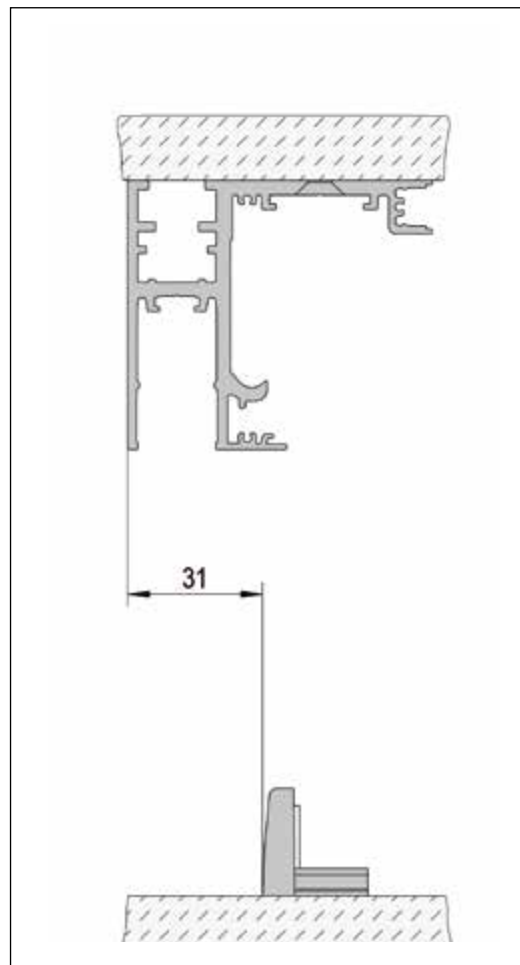
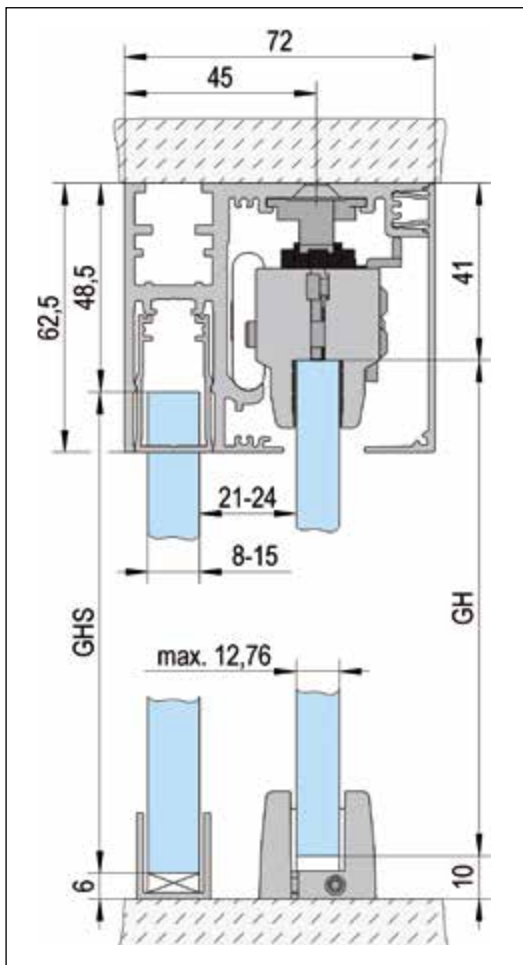
- The running track is pre-drilled

LENGTH	FINISH	ART. NO.	SU
3000 mm	Aluminium-coloured E6 C0	BO 5703031N	1x
4000 mm	Aluminium-coloured E6 C0	BO 5704031N	1x
3000 mm	Stainless steel look E4 C31	BO 5703034N	1x
4000 mm	Stainless steel look E4 C31	BO 5704034N	1x
4000 mm	Black anodised E6 C35	BO 5704033	1x

INCLUDED IN DELIVERY:

- | |
|---|
| 1x Running Track |
| 1x Cover |
| 1x Snapframe standard for fixed sidelight profile |

DRAWINGS



Glass height (GH) = H - 51 mm
Fixed sidelight (GHS) = H - 55 mm

MasterTrack® FT Accessories

MasterTrack® FT Bottom Guide



FINISH	ART. NO.	SU
Aluminium-coloured E6 C0	BO 5700005	1x
Stainless steel look E4 C31	BO 5700024	1x
Black anodised E6 C35	BO 5700010	1x

INCLUDED IN DELIVERY:
1x Bottom Guide

MasterTrack® FT Cover Caps Set



DIMENSIONS	FINISH	ART. NO.	SU
50 x 62.5 mm	Aluminium-coloured E6 C0	BO 5700011	1x
50 x 62.5 mm	Stainless steel look E4 C31	BO 5700014	1x
50 x 62.5 mm	Black anodised E6 C35	BO 5700013	1x

INCLUDED IN DELIVERY:
2x Side Caps

MasterTrack® FT Cover Caps Set for ceiling mounting with Fixed Sidelight



DIMENSIONS	FINISH	ART. NO.	SU
72 x 62.5 mm	Aluminium-coloured E6 C0	BO 5700031N	1x
72 x 62.5 mm	Stainless steel look E4 C31	BO 5700034N	1x
72 x 62.5 mm	Black anodised E6 C35	BO 5700033N	1x

INCLUDED IN DELIVERY:
2x Side Caps

MasterTrack® FT Pair of End-stoppers



- for use without Damping Mechanism

ART. NO.	SU
BO 5700009	1x

INCLUDED IN DELIVERY:
2x End stoppers

MasterTrack® FT Synchro Accessory Set



- Suitable for all Bohle MasterTrack® FT systems
- Minimum wing widths for Synchro:
 - for 60 kg min. 675 mm
 - for 80 kg min. 865 mm
 - for 120 kg min. 980 mm
 - for 150 kg min. 980 mm

ART. NO.	SU
BO 5700020	1x

INCLUDED IN DELIVERY:
1x Synchronous converter sets

MasterTrack® FT Spare Damper



- incl. release bolt

MAX. DOOR WEIGHT	ART. NO.	SU
60 kg	BO 5706001	1x
80 kg	BO 5708001	1x
150 kg	BO 5701501	1x

INCLUDED IN DELIVERY:
1x Damping Mechanism, 1x Release Bolt

MasterTrack® FT carriage set incl. Damping Mechanism



- Glass thickness door: tempered glass 8 - 12 mm, laminated safety glass 8.76 - 12.76 mm
- Can be used to upgrade complete sets to double door systems

MAX. DOOR WEIGHT · DESCRIPTION	ART. NO.	SU
60 kg · Minimum door width 600 mm	BO 5706000	1x
80 kg · Minimum door width 790 mm	BO 5708000	1x
120 kg · Minimum door width 905 mm	BO 5701200	1x
150 kg · Minimum door width 905 mm	BO 5701500	1x

INCLUDED IN DELIVERY:
2x Carriages
2x Damping Mechanism
2x Trigger for Damping Mechanism

U-Channels 20 x 17



- Size 20 x 17 x 20 x 1.5 mm
- Glass thickness 10 - 12.76 mm
- Material Aluminium

LENGTH	FINISH	ART. NO.	SU
2500 mm	Aluminium-coloured anodised E6 C0	BO 6703434	1x
5000 mm	Aluminium-coloured anodised E6 C0	BO 6703446	1x
2500 mm	Stainless steel look anodised E4 C31	BO 6703435	1x
5000 mm	Stainless steel look anodised E4 C31	BO 6703448	1x
2500 mm	Black anodised E6 C35	BO 5201580B	1x



MASTERTRACK® FT BLACK

Shapes and colours determine the individual style of every room. With MasterTrack® FT in anodised black (E6 / C35), you set strong accents in the design. The black fittings stand out from their surroundings and become real eye-catchers.



MasterTrack® FT 60 Set

- See page 8 or 12



MasterTrack® FT 80 Set

- See page 8 or 12



MasterTrack® FT 60 Set with Fixed Sidelight

- See page 14



MasterTrack® FT 80 Set with Fixed Sidelight

- See page 14



MasterTrack® FT Profile Set

- See page 8 or 12



MasterTrack® FT Profile Set with Fixed Sidelight

- See page 14



MasterTrack® FT Cover Caps Set

- See page 16



MasterTrack® FT Bottom Guide

- See page 16



U-Channels 20 x 17

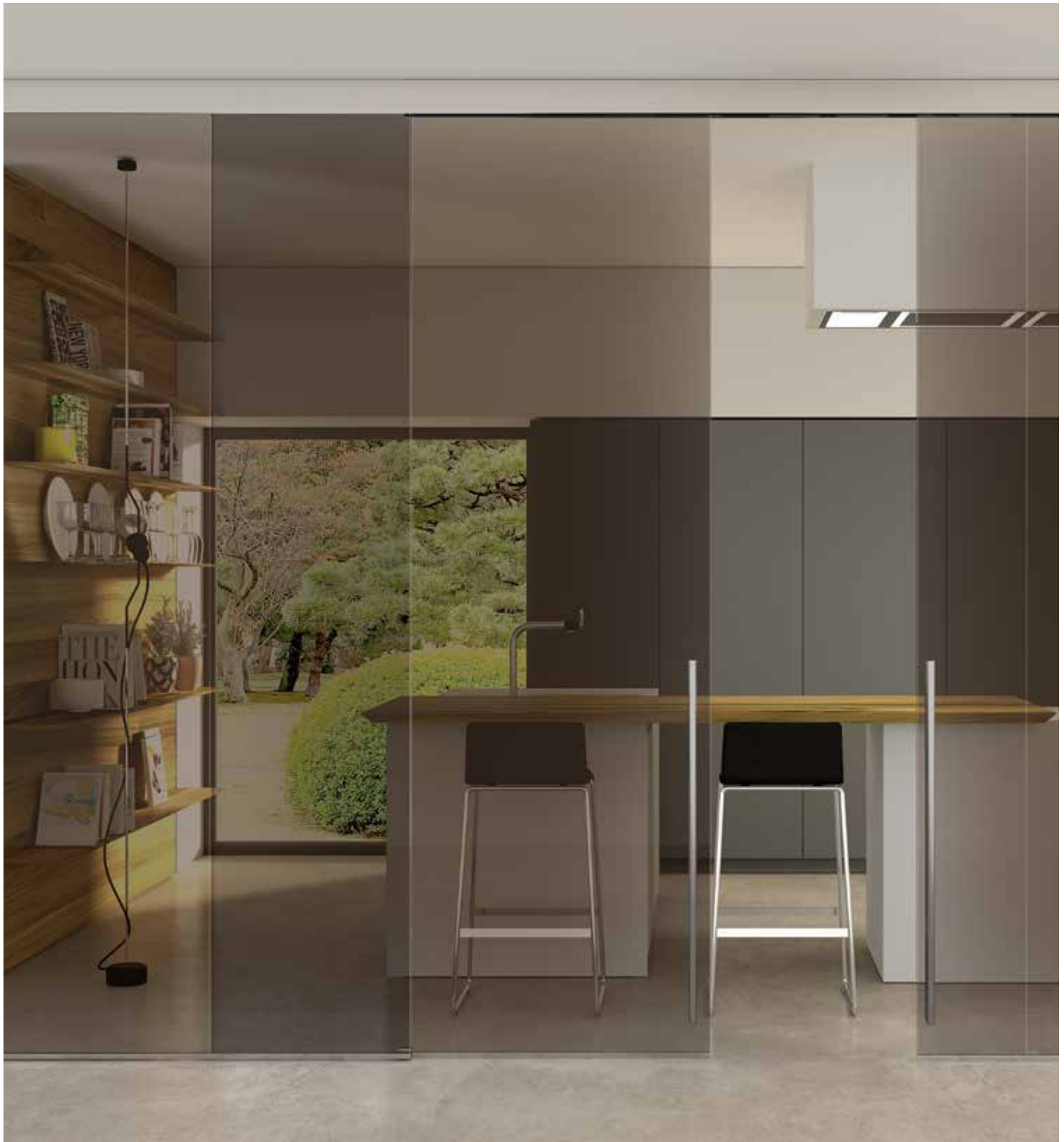
- See page 17



Sliding Door Handles

- See page 33 & 35





Bohle Ltd.
Fifth Avenue
Tameside Park
Dukinfield
Cheshire, SK16 4PP

T +44 161 3421100
F +44 161 3440111
Freephone Number: 0800 616151

info@bohle.ltd.uk
www.bohle.com

 Bohle

